

## Elmasonic xtra ST

Ultrasonic cleaning unit



### Order numbers and list prices

	300H	500H	600H	800H	1400H	1600H	1900S	2500H
Order number EU 220 - 240 V~	1076429	1076433	1076435	--	--	--	1076443	--
Order number EU 3 x 400 V~	--	--	1076431	1076438	1076440	1076442	--	1076439
Order number USA 260 V~ / 60HZ	1077481	1077482	1077483	--	--	--	--	--
Order number USA 3 x 200 - 208 V~	--	--	1077057	1077056	1077058	1077059	--	1077060
Order number UK 230 - 240 V~	1094597	1094599	1094601	--	--	--	--	--

### Scope of delivery

- Ultrasonic cleaning unit
- Operating manual

All prices ex works, excluding packaging.

Technical specifications serve as orientation values and are subject to tolerances due to production and manufacturing. Proper operation can only be guaranteed when using original Elma accessories.



## Elmasonic xtra ST

### Product features and functions

- Stainless steel ultrasonic tank
- Sloped tank bottom for better draining of the cleaning liquid
- Sandwich power oscillating systems
- Ultrasonic frequency switchable between 25 kHz for coarse and preliminary cleaning and 45 kHz for fine cleaning
- Sweep function for a continuous shift of the sound pressure maxima, causes a more homogeneous sound field distribution in the tank
- Pulse function can be switched on to intensify the ultrasonic cleaning effect for stubborn soiling. Furthermore, the operational readiness (reaching the cavitation threshold) is optimized with freshly prepared cleaning liquid as well as after changing the basket (shortening the cleaning time).
- Dynamic function: Sweep and pulse function run in automatic alternation. The ultrasonic power is temporarily increased by up to 20 %. At the same time, the cleaning effect is enhanced by the uniform ultrasonic distribution in the ultrasonic bath
- Heating with temperature control (30 °C - 80 °C)
- Temperature - controlled ultrasound function: ultrasound starts automatically when the preselected temperature is reached
- Automatic safety shutdown after 12 h of operation to prevent accidental continuous operation
- Automatic safety shutdown at 90 °C bath temperature to protect the items to be cleaned against excessive temperature
- Display of the set values as well as actual values via the LED display
- Stainless steel housing
- Rollers with locking brake for mobile use of the device when unfilled
- Uniform 2 - sided sonication of the cleaning material (only with Elmasonic 1900S)
- Stainless steel liquid drain on the side of the unit (except for Elmasonic 1900S)
- Stainless steel liquid drain with brass ball valve on the operating side of the unit (only for Elmasonic 1900S)

Technical specifications serve as orientation values and are subject to tolerances due to production and manufacturing. Proper operation can only be guaranteed when using original Elma accessories.



## Elmasonic xtra ST

### Technical Data - Mechanics

	300H	500H	600H	800H	1400H	1600H	1900S	2500H
Total capacity V (l)	28,8	48,7	56,3	81,0	120,3	156,3	186,7	245,1
Recom. operating capacity V <sub>a</sub> (l)	22,0	42,0	45,0	70,0	97,0	133,0	134,0	215,0
Unit ext. dimensions W / D / H (mm)	595 / 555 / 935	595 / 555 / 935	765 / 595 / 935	765 / 595 / 935	875 / 865 / 935	875 / 865 / 935	655 / 965 / 960	1020 / 915 / 935
Tank int. dimensions W <sub>2</sub> / D <sub>2</sub> / H <sub>2</sub> (mm)	290 / 265 / 280	290 / 265 / 480	460 / 295 / 330	460 / 295 / 480	550 / 565 / 315	550 / 565 / 415	410 / 600 / 680	615 / 700 / 485
Opening dimensions W <sub>3</sub> / D <sub>3</sub> (mm)	330 / 300	330 / 300	500 / 330	500 / 330	600 / 600	600 / 600	410 / 650	750 / 650
Weight incl. cover (kg)	40,0	45,0	55,0	61,0	87,0	93,0	75,0	107,0
Drain hose - ID (mm)	10							

Technical specifications serve as orientation values and are subject to tolerances due to production and manufacturing. Proper operation can only be guaranteed when using original Elma accessories.



## Elmasonic xtra ST

### Technical Data - Electronics and noise levels

	300H	500H	600H		800H	1400H	1600H	1900S	2500H
Mains voltage (V~)	230 - 240	230 - 240	230 - 240	3x 400 V / N / PE	3x 400 V / N / PE	3x 400 V / N / PE	3x 400 V / N / PE	230 - 240	3x 400 V / N / PE
				3x 200 - 208 V / PE	3x 200 - 208 V / PE	3x 200 - 208 V / PE	3x 200 - 208 V / PE		3x 200 - 208 V / PE
Mains frequency (Hz)	50 / 60								
Power consumption total (W)	2000	2000	2400	u3800	5200	6800	9500	3350	9500
Ultrasonic power effective $\pm 10\%$ (W)	480	540 / 600	800 / 900		900 / 1000	1440	1600 / 1800	1000	1800 / 2000
Ultrasonic peak power max.* (W)	1920	1920	3200 / 3600		3600 / 4000	5760	6400 / 7200	4000	7200 / 8000
Heating power (W)	1400	1400	1400	2800	4200	5000	7500	2300	7500
Temperature (°C)	30 - 80								
Protection class	IP 23								
Sound pressure level (LpAU)**	< 80 dB								
Ultrasonic sound level (LpZ)**	< 110 dB								

\* The signal form of the wave results in a factor 4 for the ultrasonic peak max., depending on the modulation of the wave.

\*\* Measured sound pressure level with basket and cover at 1 m distance.

Technical specifications serve as orientation values and are subject to tolerances due to production and manufacturing. Proper operation can only be guaranteed when using original Elma accessories.

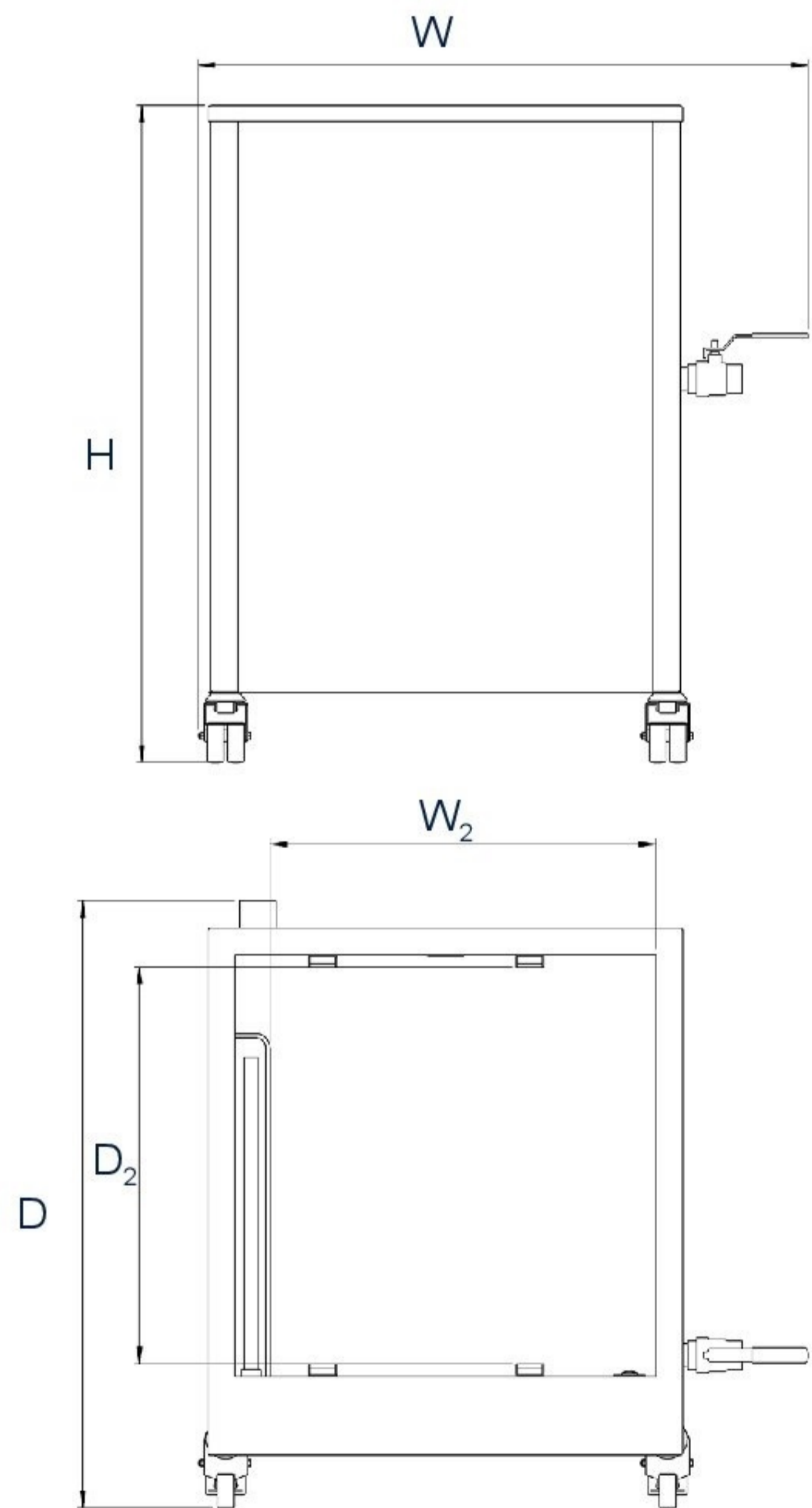


## Elmasonic xtra ST

### Dimension definition

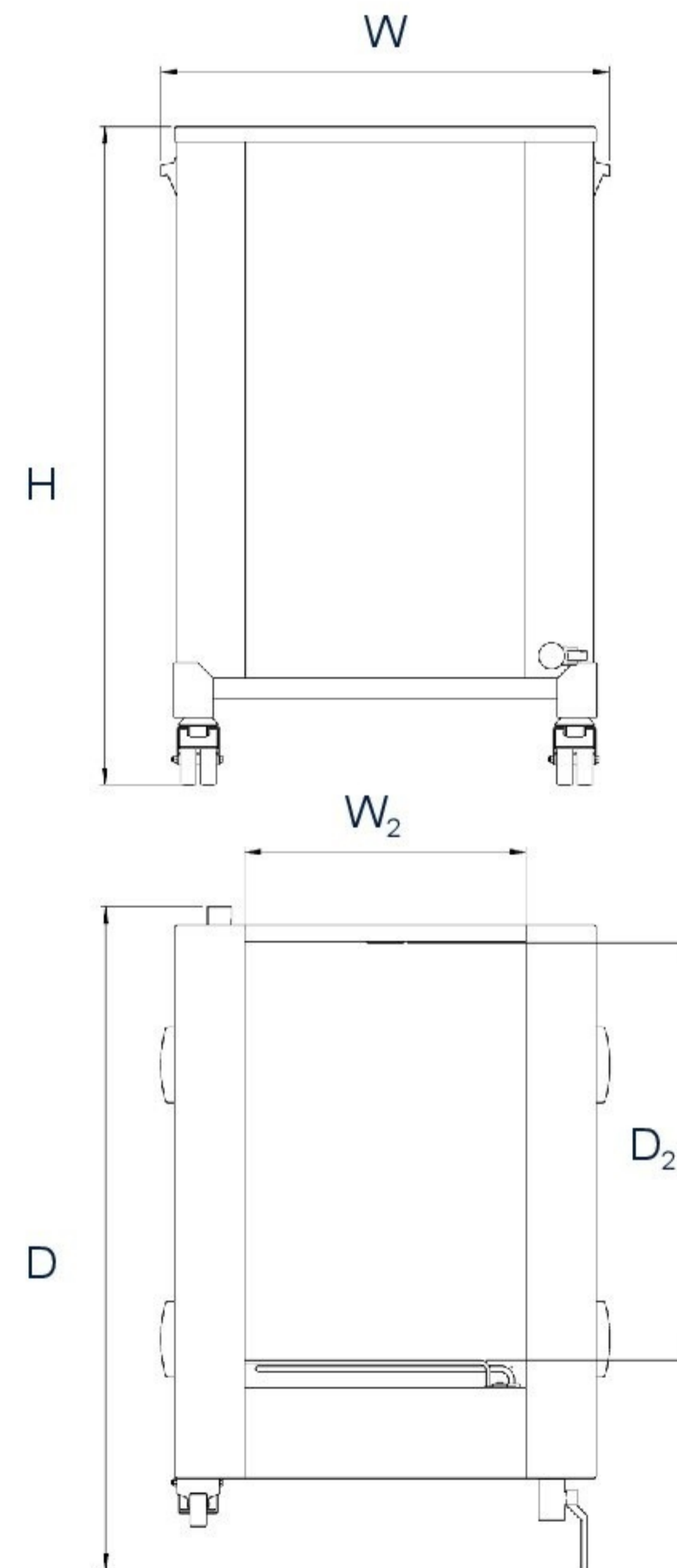
#### Unit outer dimensions

Elmasonic xtra ST 300 - 2500



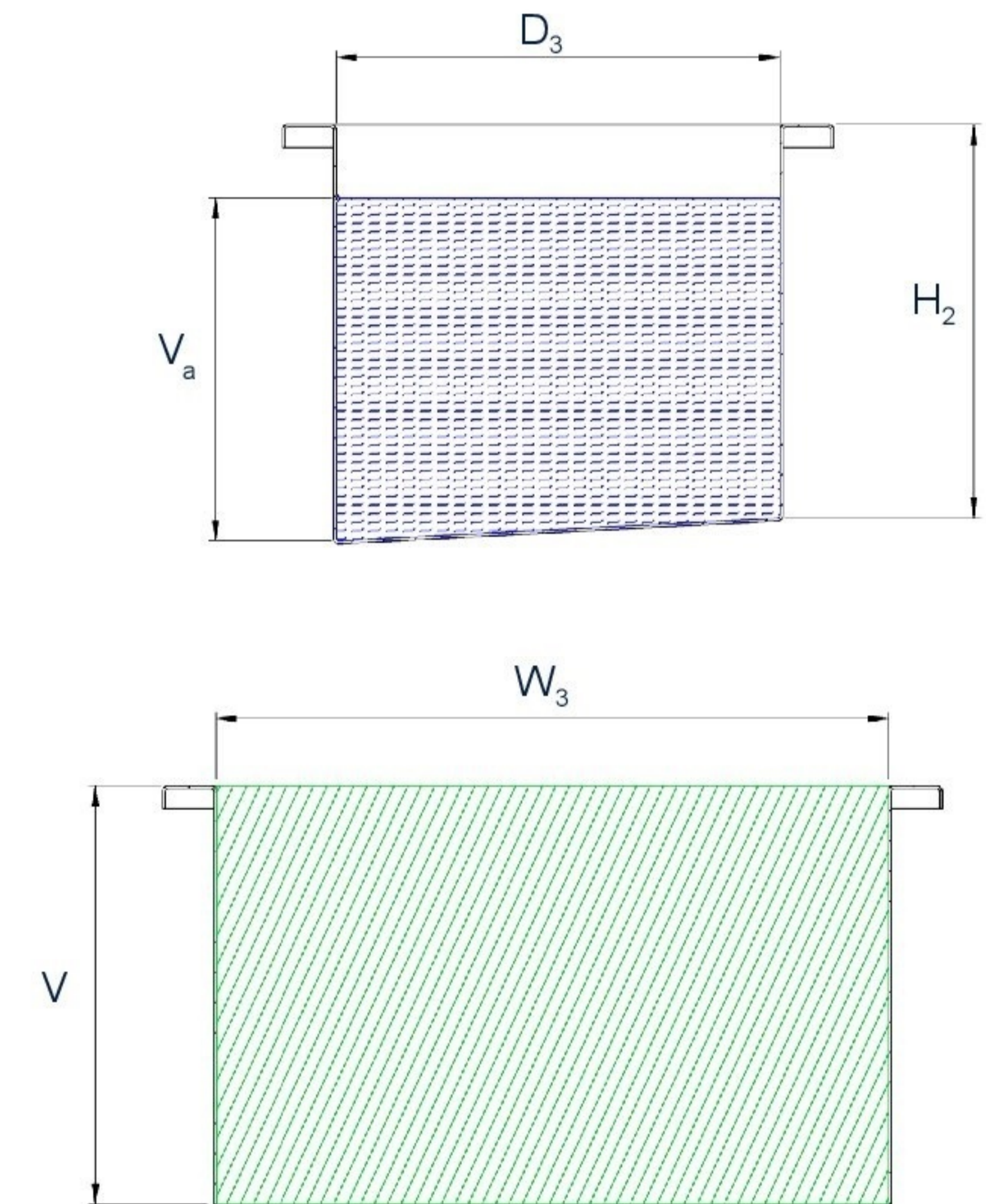
#### Unit outer dimensions

Elmasonic xtra ST 1900S



#### Tank internal dimensions

$V_a$ : recommended operating capacity of the cleaning tank  
(The actual operating capacity depends on the load.)



The drawings are meant as a visualization aid and are not true to scale.

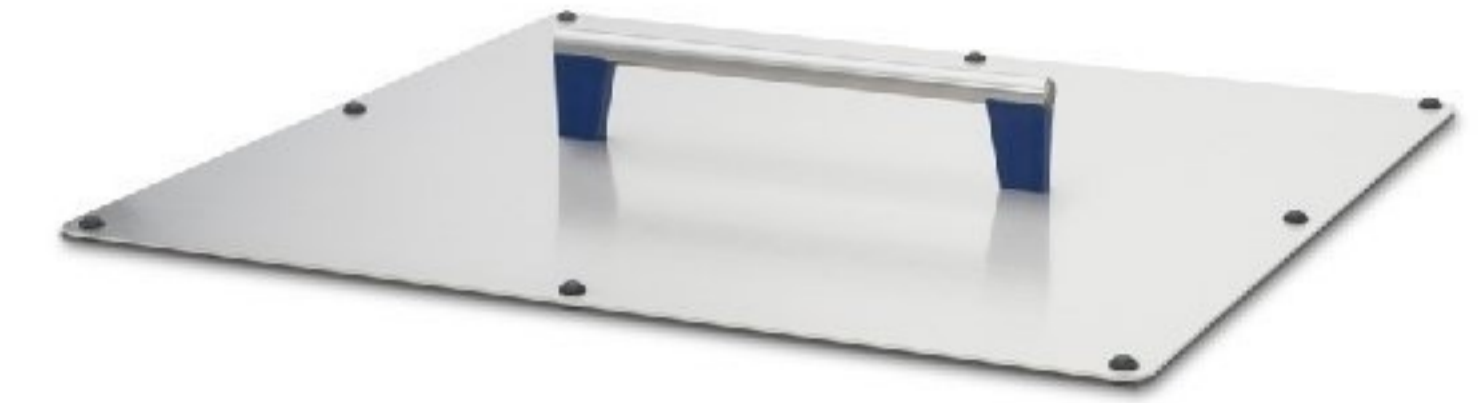
Technical specifications serve as orientation values and are subject to tolerances due to production and manufacturing. Proper operation can only be guaranteed when using original Elma accessories.



## Elmasonic xtra ST Accessories - Covers

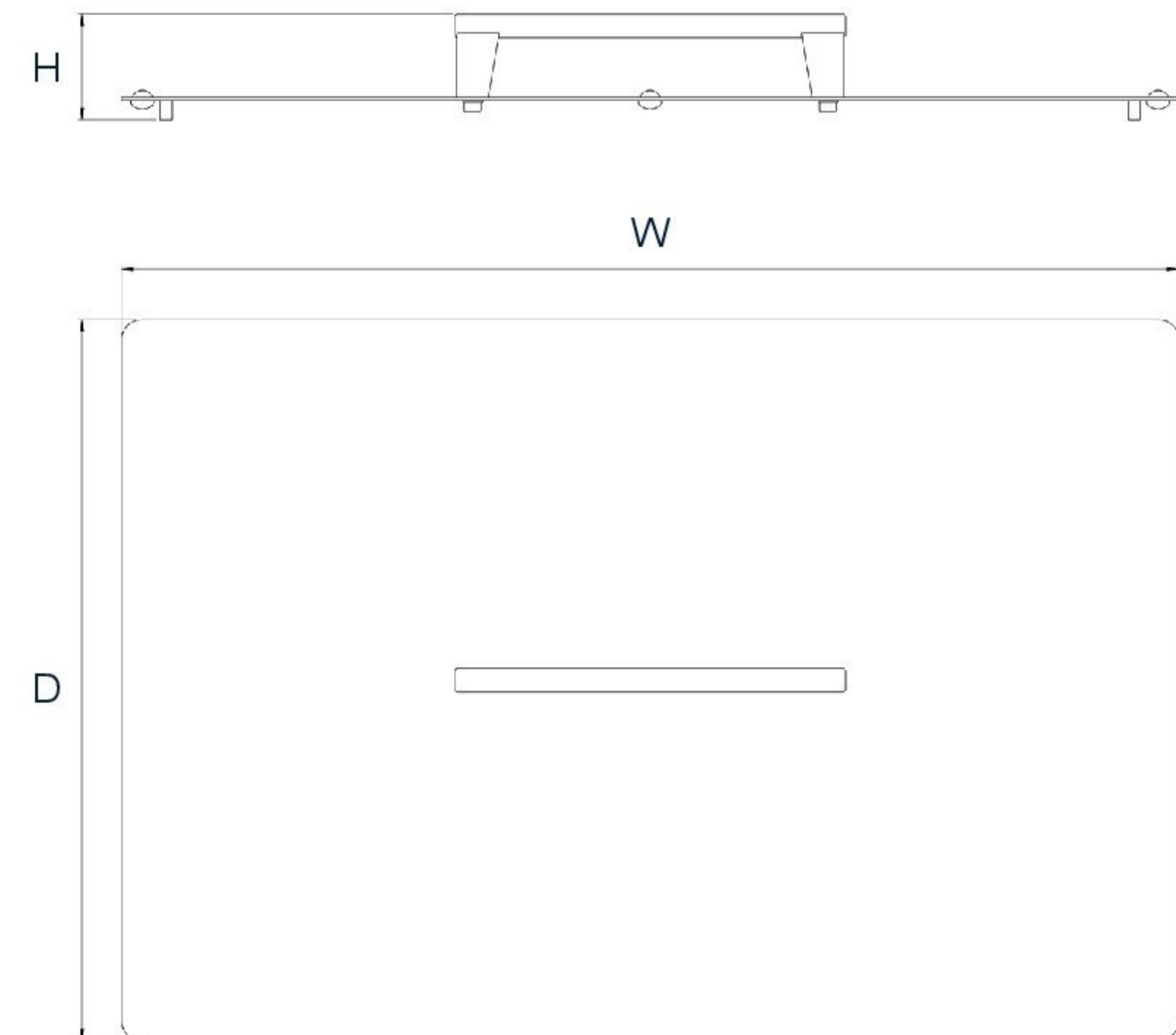
made of stainless steel

- reduce the noise of the ultrasonic cleaning
- save energy and costs by reducing waste heat and collecting / recirculating the water vapour



Elmasonic xtra ST	300	500	600	800	1400	1600	1900 S	2500
Order number	1076813	1076814	1076810	1082904	1076810	1082904	1076807	1076807
External dimensions W / D / H (mm)	365 / 335 / 55	535 / 365 / 55	635 / 635 / 55	685 / 445 / 55	635 / 635 / 55	685 / 445 / 55	785 / 684 / 55	785 / 684 / 55

### Dimension definition



All prices ex works, excluding packaging.

The drawings are meant as a visualization aid and are not true to scale.

Technical specifications serve as orientation values and are subject to tolerances due to production and manufacturing. Proper operation can only be guaranteed when using original Elma Units.



## Elmasonic xtra ST Accessory - Covers

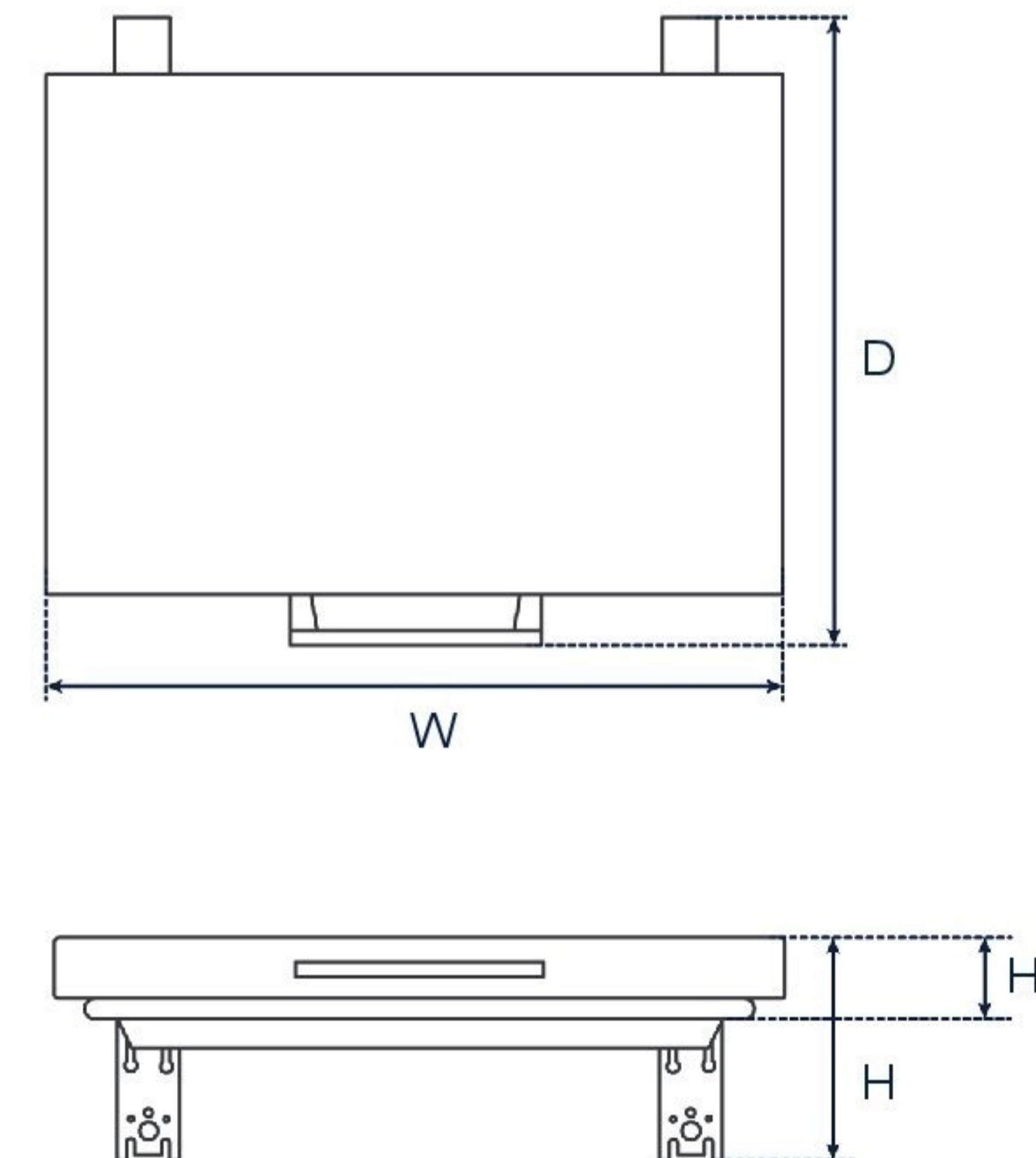
### Noise protection covers

- reduce the noise of the ultrasonic cleaning and retain process vapours
- save energy and costs by reducing waste heat and collecting / recirculating the water vapour
- available as a retrofit kit for self - assembly and space - savingly attached to the ultrasonic device



Elmasonic xtra ST	300	500	600	800	1400	1600	2500
Order number	1076213	1076211	1076211	1076211	1076206	1076206	1076202
External dimensions W / D / H (mm)	405 / 540 / 170	575 / 570 / 170	575 / 570 / 170	575 / 570 / 170	680 / 840 / 170	680 / 840 / 170	830 / 890 / 170
Height installed H <sub>1</sub> (mm)	65						

### Dimension definition



All prices ex works, excluding packaging

The drawings are merely included as a visualization aid and are not true to scale.

Technical specifications serve as orientation values and are subject to tolerances due to production and manufacturing. Proper operation can only be guaranteed when using original Elma accessories.



# Product Information



## Elmasonic xtra ST Accessories - Baskets

made of stainless steel



	<b>300</b>	<b>500</b>	<b>600</b>	<b>800</b>	<b>1400</b>	<b>1600</b>	<b>2500</b>
Order number	1027339	1076253	1026584	1027349	1027350	1027351	1027352
Basket int. dim. W / D / H (mm)	255 / 230 / 170	255 / 230 / 370	415 / 255 / 220	400 / 255 / 370	490 / 525 / 210	480 / 525 / 300	630 / 575 / 370
Mesh size Y x Z (mm)	25 x 2,5						
Loading weight max. (kg)	12,0	12,0	25,0	40,0	50,0	50,0	50,0

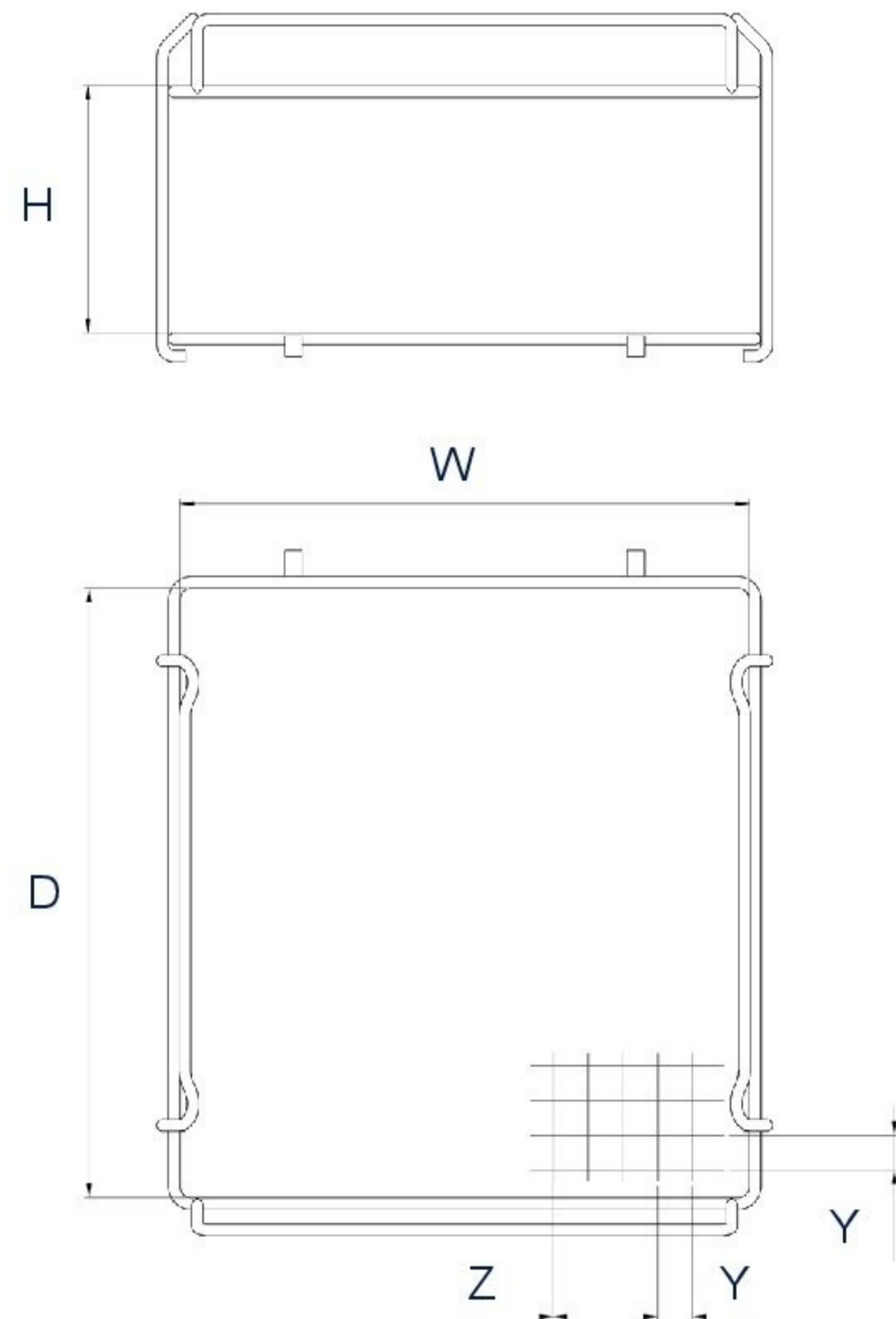
All prices ex works, excluding packaging

Technical specifications serve as orientation values and are subject to tolerances due to production and manufacturing. Proper operation can only be guaranteed when using original Elma accessories.



## Elmasonic xtra ST Accessories - Baskets

### Dimension definition



The drawings are merely included as a visualization aid and are not true to scale.

Technical specifications serve as orientation values and are subject to tolerances due to production and manufacturing. Proper operation can only be guaranteed when using original Elma accessories.



## Elmasonic xtra ST Accessories - Baskets

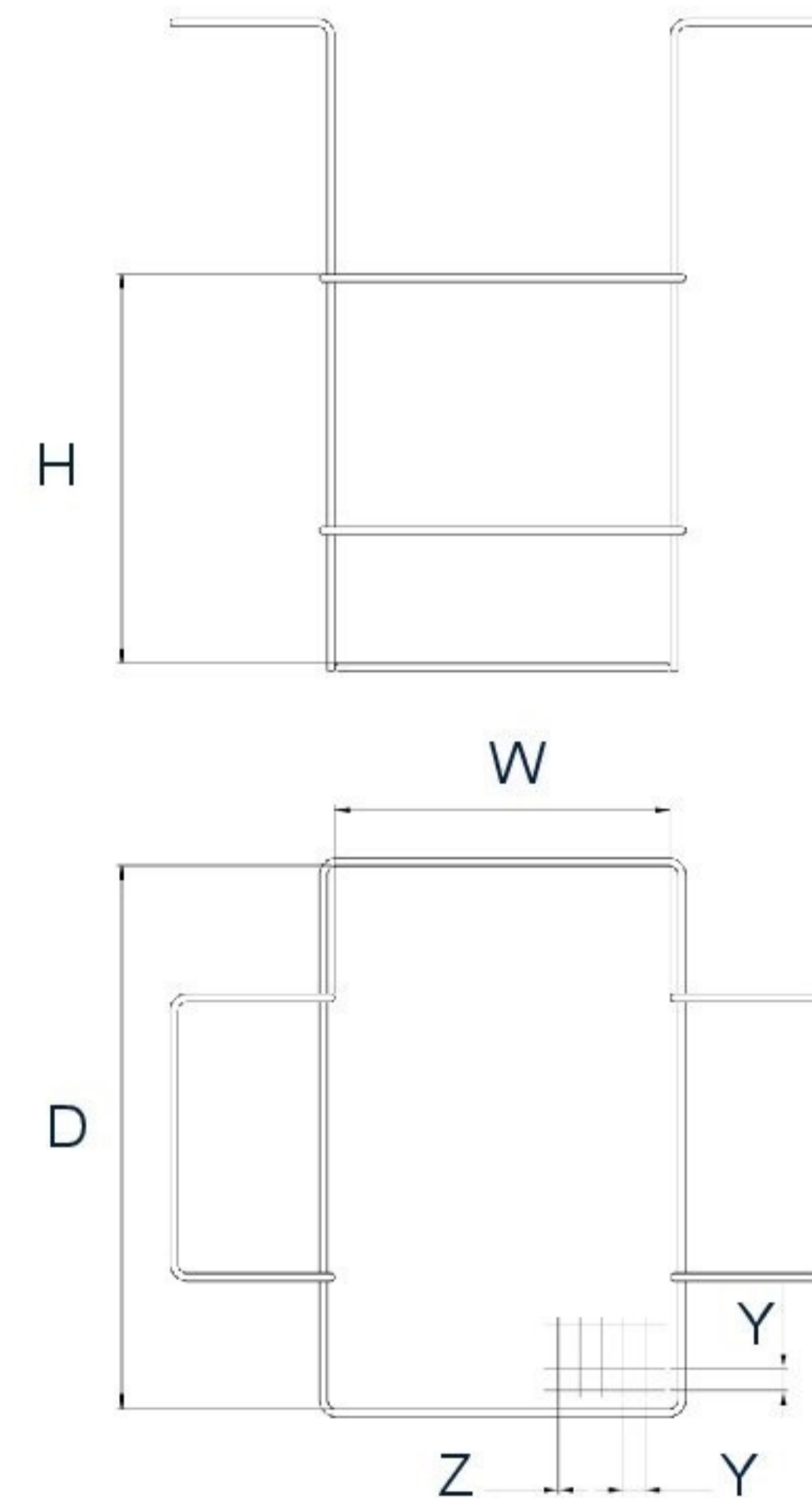
made of stainless steel



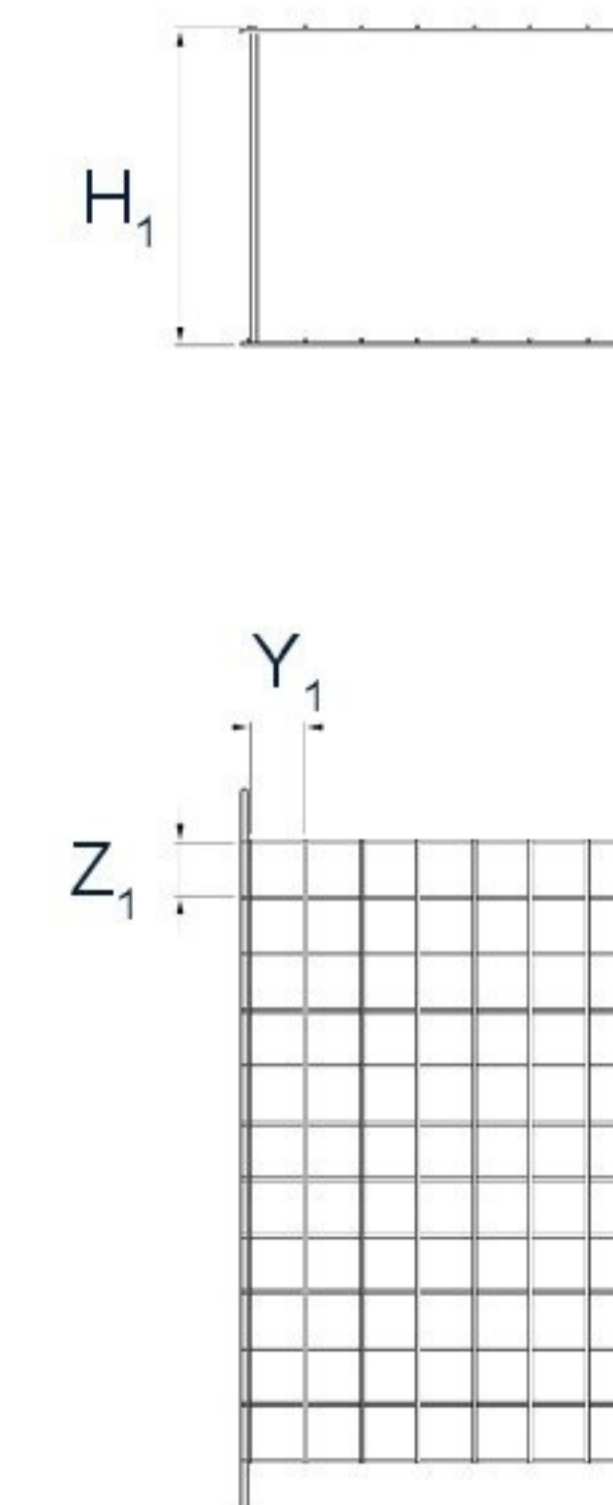
	1900 S
Order number	1082920
Basket internal dim. W / D / H (mm)	345 / 560 / 400
Mesh size basket bottom Y x Z (mm)	10 x 1,6
Height of insert H <sub>1</sub> (mm)	255
Opening dimension insert Y x Z (mm)	40 x 40
Number of openings Insert	77
Loading weight max. (kg)	50,0

### Dimension definition

Basket



Insert



All prices ex works, excluding packaging

The drawings are merely included as a visualization aid and are not true to scale.

Technical specifications serve as orientation values and are subject to tolerances due to production and manufacturing. Proper operation can only be guaranteed when using original Elma accessories.



# Product Information



## Elmasonic xtra ST Peripherie - Elma Move

- Automatic oscillation in the cleaning tanks
- Due to the slowly oscillating up and down movement, the cleaning effect of the ultrasonic and the dissolved dirt is rinsed off more effectively
- Freely positionable and user-safe control panel
- Can be retrofitted to xtra ST units 300 - 1600 and 2500
- Compatible with sound insulation lid by means of attachment frame
- Simple commissioning without the use of a service technician
- Made of stainless steel



	300	500	600	800	1400	1600	2500
Order number	1111714	1119271	1119272	1116096	1119273	1116402	1118068

### Scope of delivery

- Oscillation with control panel
- Basket Holder
- 2 anti-handling sets for basket (1 U-sheet, 1 sheet metal, 2 screws and 2 nuts each)
- 8 screws
- Adhesive sign magnetic
- Operating and installation instructions

All prices ex works, excluding packaging.

Technical specifications serve as orientation values and are subject to tolerances due to production and manufacturing. Proper operation can only be guaranteed when using original Elma Units.



## Elmasonic xtra ST Peripherie - Elma Move

### Technical Data

	300	500	600	800	1400	1600	2500
Ext. dimensions oscillation W / D / H (mm)	325 / 220 / 695		485 / 220 / 495		590 / 220 / 1000 - 1020		740 / 220 / 1000 - 1020
Ext. Dimensions basket mount W <sub>1</sub> / D <sub>1</sub> / H <sub>1</sub> (mm)	255 / 45 / 310	255 / 45 / 510	415 / 45 / 355	400 / 45 / 505	470 / 45 / 335	470 / 45 / 435	620 / 45 / 505
Ext. Dimensions control panel W <sub>2</sub> / D <sub>2</sub> / H <sub>2</sub> (mm)	150 / 85 / 170						
Ext. Dimensions intervention protection set W <sub>3</sub> / D <sub>3</sub> / H <sub>3</sub> (mm)	60 / 30 / 125						
Max. Basket load (kg)	35						
Mains voltage (V~)	400						
Mains frequency (Hz)	50						

The drawings are merely included as a visualization aid and are not true to scale.

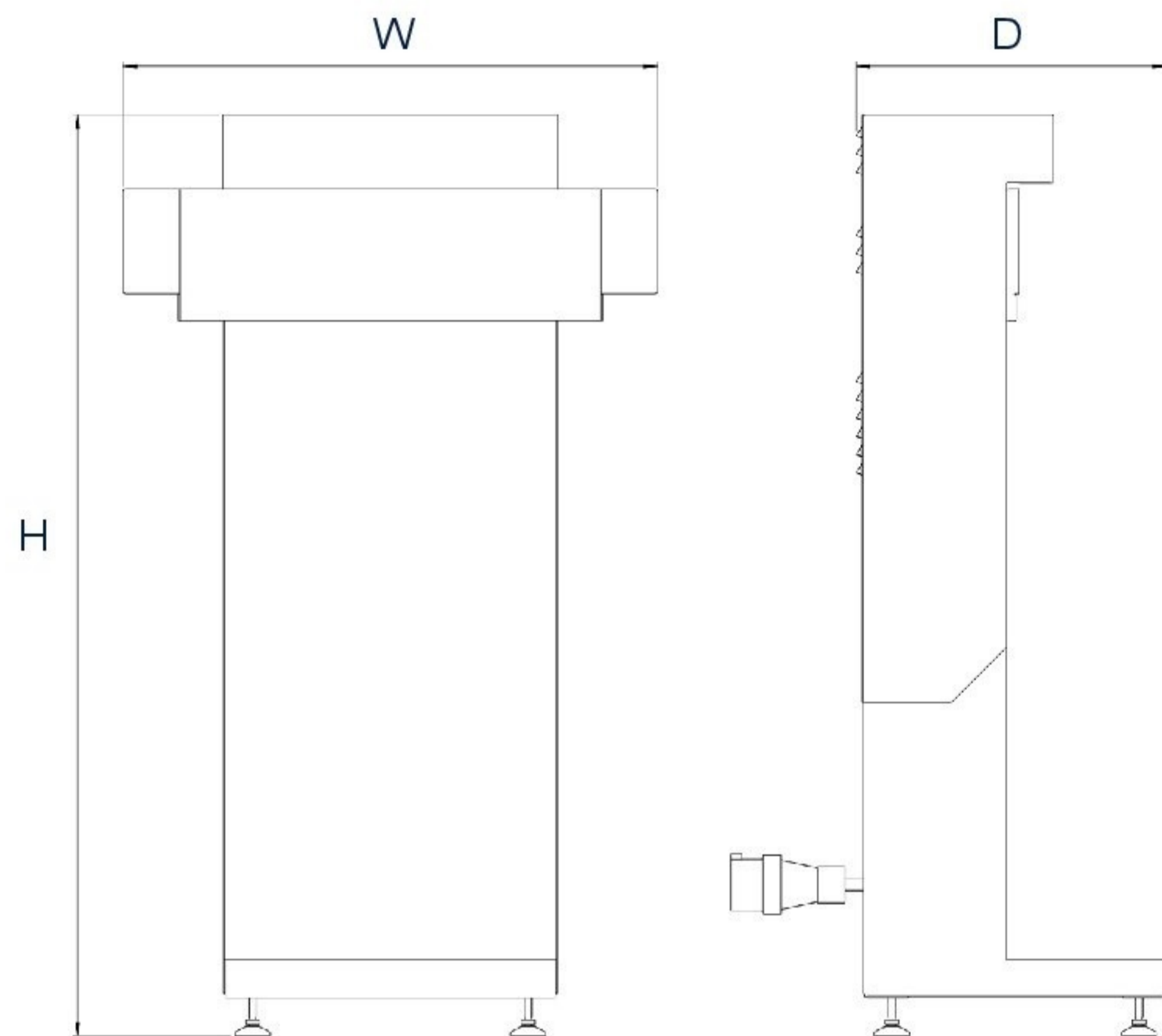
Technical specifications serve as orientation values and are subject to tolerances due to production and manufacturing. Proper operation can only be guaranteed when using original Elma Units.



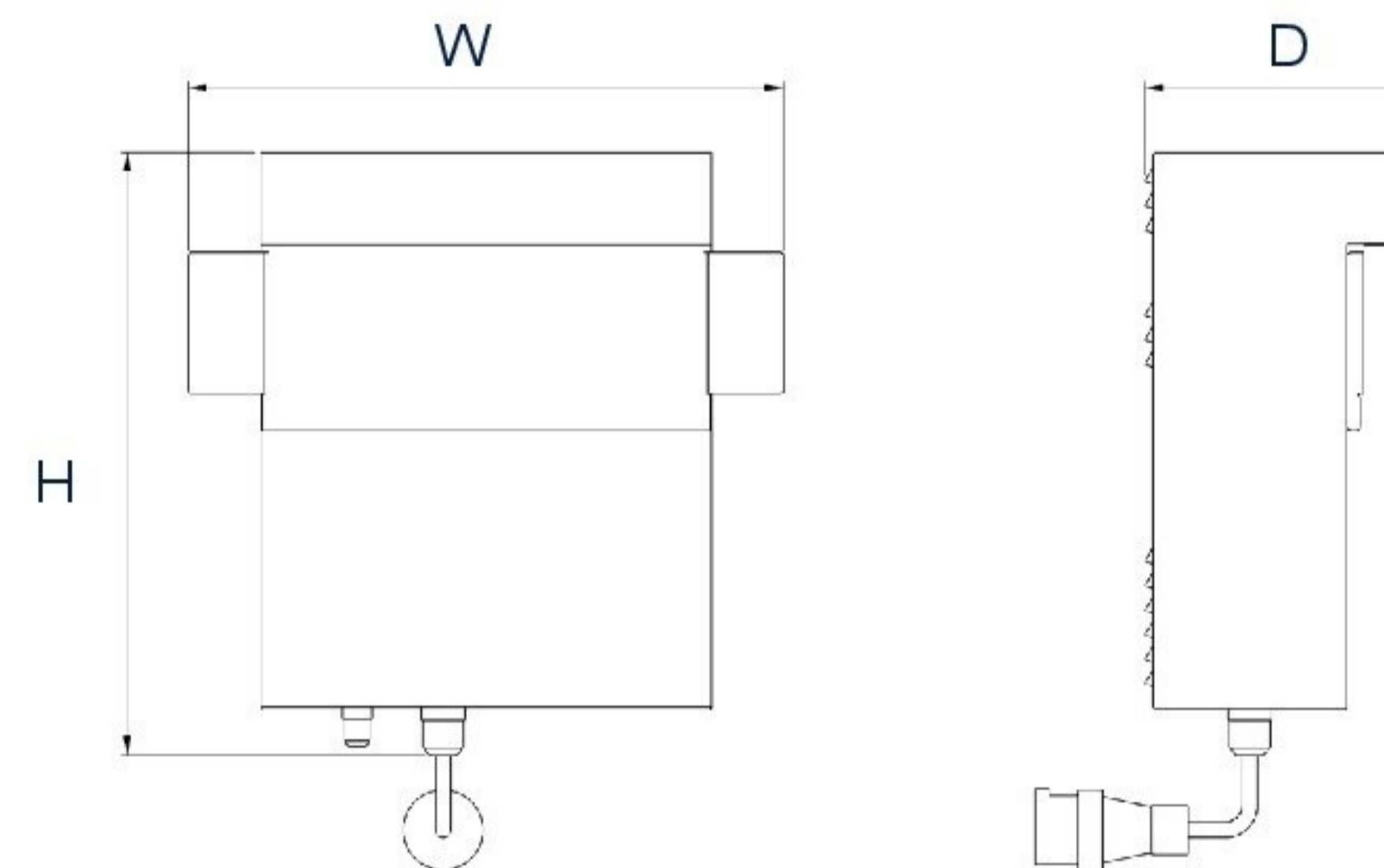
## Elmasonic xtra ST Peripherie - Elma Move

### Dimension definition

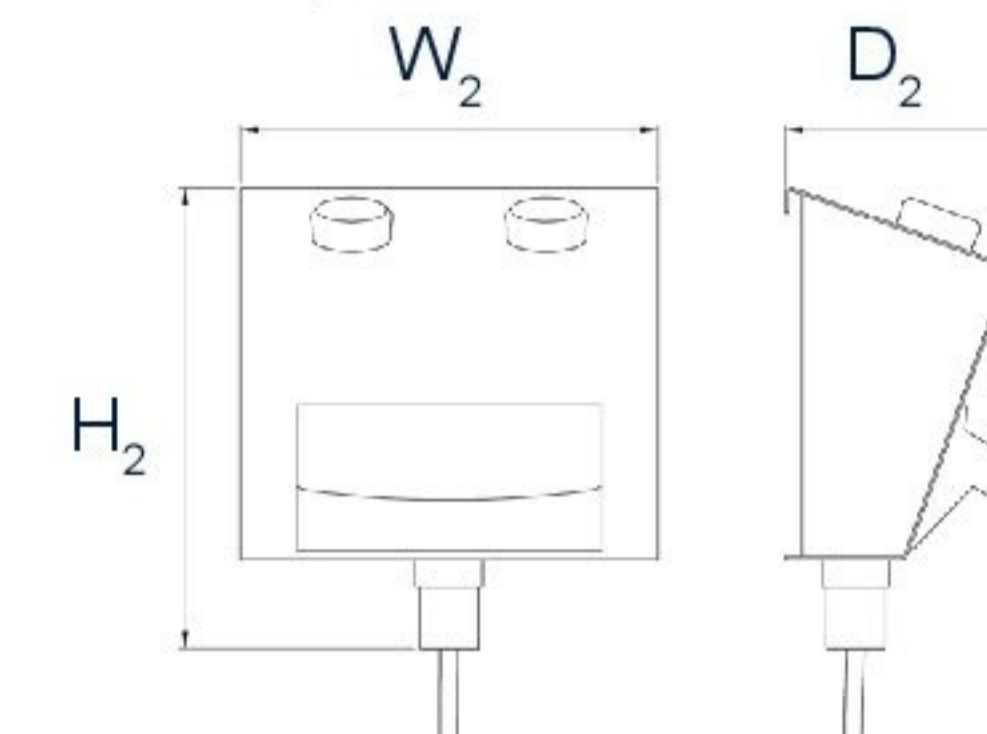
Oscillation for xtra ST 1400, 1600, 2500



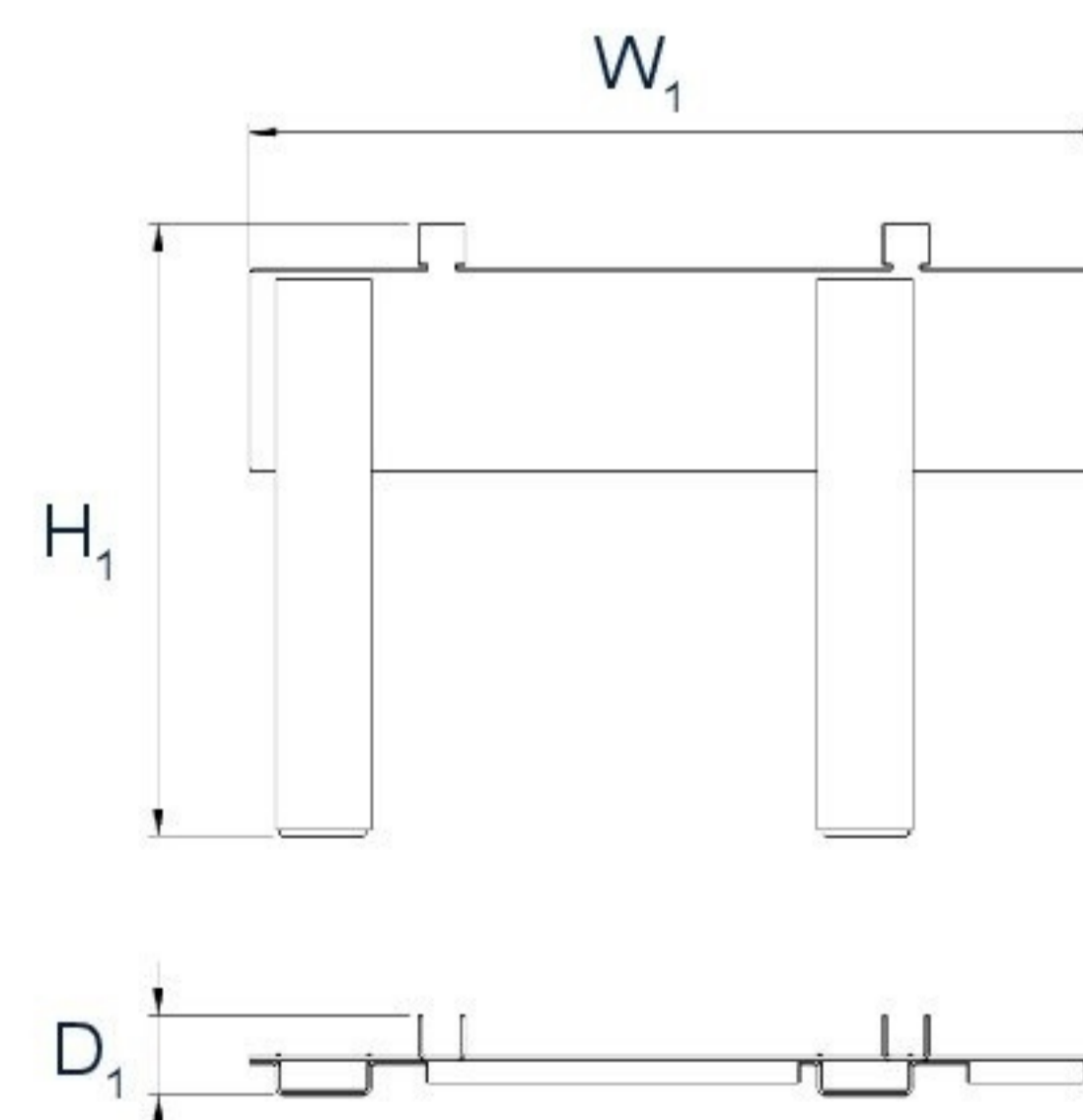
Oscillation for xtra ST 300 - 800



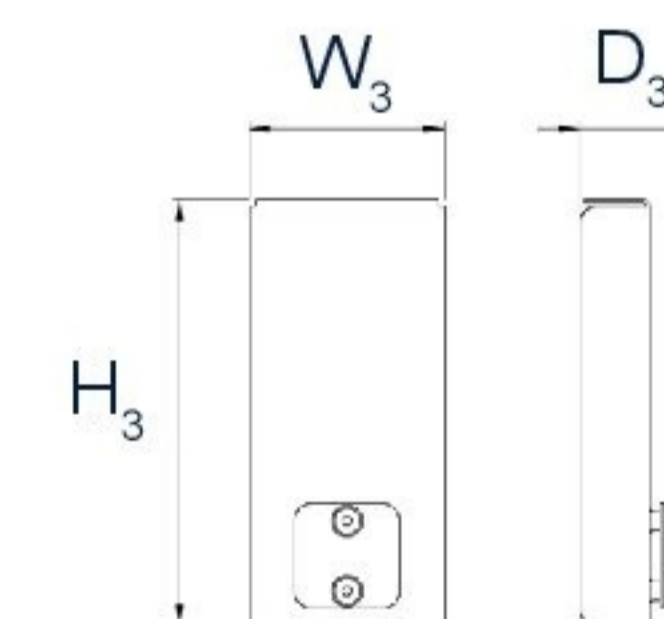
Control panel



Basket Holder



Intervention protection set



The drawings are merely included as a visualization aid and are not true to scale.

Technical specifications serve as orientation values and are subject to tolerances due to production and manufacturing. Proper operation can only be guaranteed when using original Elma Units.



## Elmasonic xtra ST Peripherie - Attachment frame

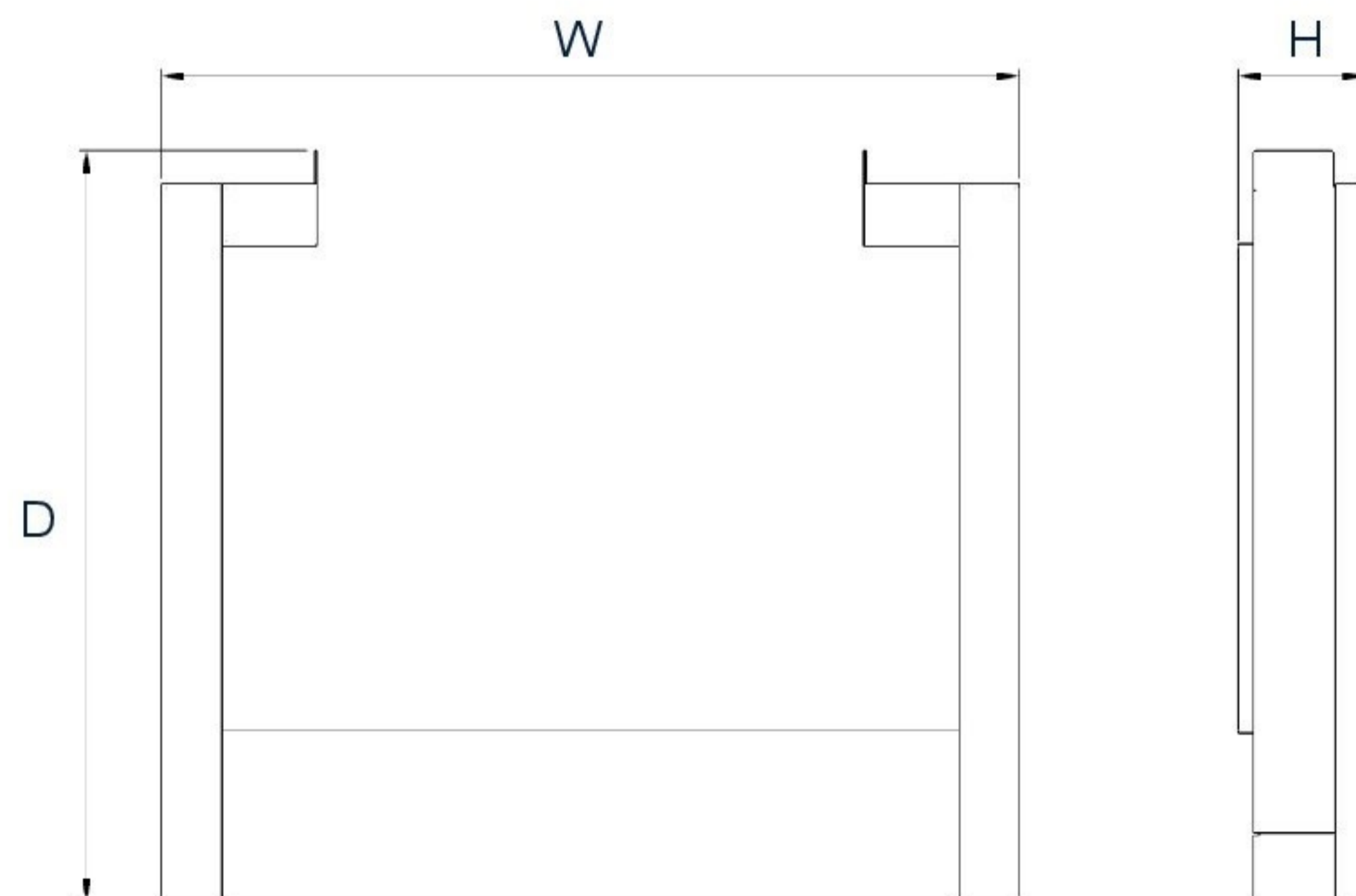
For mounting an Elma Move to an Elmasonic xtra ST with soundproof cover.

- Can be retrofitted to xtra ST units 300 - 1600 and 2500



	<b>300 / 500</b>	<b>600 / 800</b>	<b>1400 / 1600</b>	<b>2500</b>
Order number	1116457	1111699	1116834	1120721
ext. dimension W / D / H (mm)	410 / 475 / 85	580 / 505 / 85	680 / 775 / 85	830 / 825 / 85

### Dimension definition



All prices ex works, excluding packaging.

The drawings are merely included as a visualization aid and are not true to scale.

Technical specifications serve as orientation values and are subject to tolerances due to production and manufacturing. Proper operation can only be guaranteed when using original Elma Units.



## Elmasonic xtra ST Peripherie - Elma Filter

- Self-priming and high availability pump
- Increased service life of the ultrasonic tank due to particle filtering
- Particle recovery / separation (especially for precious metals)
- Reduction of operating costs due to bath service life extension
- Reduction of water changes
- Variable arrangement next to the cleaning device
- No need to readjust the flow
- Filter cartridge convenient to replace
- Filter change indicator after reaching the specified operating hours
- Can be retrofitted to all xtra ST devices
- Made of stainless steel



	3/4"	1"
Order number	1100757	1122968
Suitable for xtra ST	300, 500, 600, 800, 1900	1400, 1600, 2500

### Scope of delivery

- Elma Filter
- Disposable wraparound filter cartridge (1 each in 10, 20 and 50 µm)
- Fitting set inlet
- Fitting set return
- Power cable with rubber connector (2 m length)
- Operating and installation instructions

All prices ex works, excluding packaging.

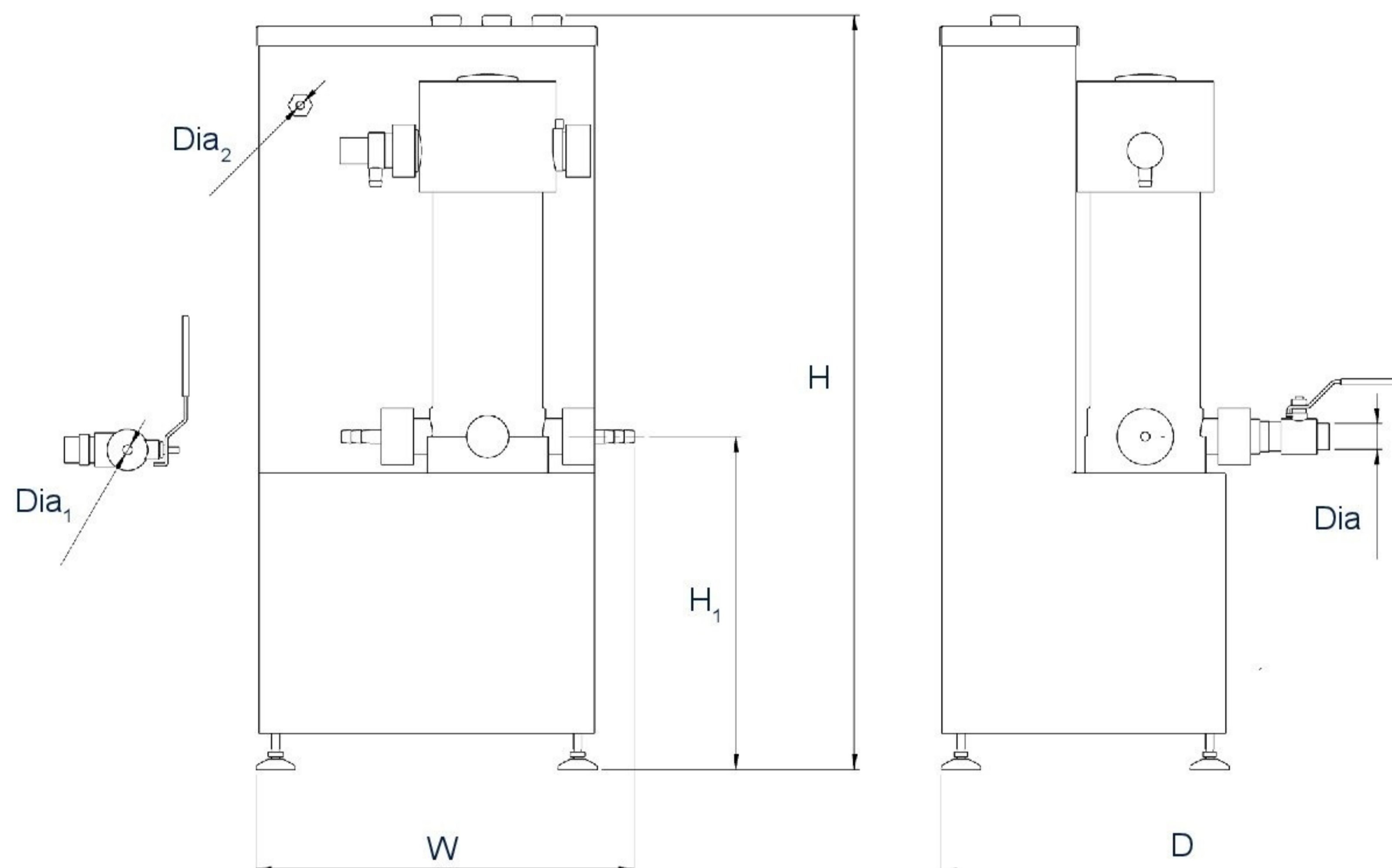
Technical specifications serve as orientation values and are subject to tolerances due to production and manufacturing. Proper operation can only be guaranteed when using original Elma Units.



## Elmasonic xtra ST Peripherie - Elma Filter

### Dimension definition

	3/4"	1"
Ext. dimension W / D / H (mm)	390 / 485 / 750 - 765	
Height connection supply/ drain H <sub>1</sub> (mm)	330 - 345	
Supply connection xtra ST units Dia (")	1/2	
Drain connection xtra ST units Dia <sub>1</sub> (")	3/4	1
Recirculation connection xtra ST units Dia <sub>2</sub> (")	1/2	
Weight (kg)	25	
Mains voltage (V~)	230	
Mains frequency (Hz)	50 / 60	
Filter fineness (µm)	10, 25, 50	
Filter size (")	10	
Flow rate (l/h)	~ 350 - 400	
Temperature max. (°C)	+ 40	
Protection class	20	



The drawings are meant as a visualization aid and are not true to scale.

Technical specifications serve as orientation values and are subject to tolerances due to production and manufacturing. Proper operation can only be guaranteed when using original Elma Units.



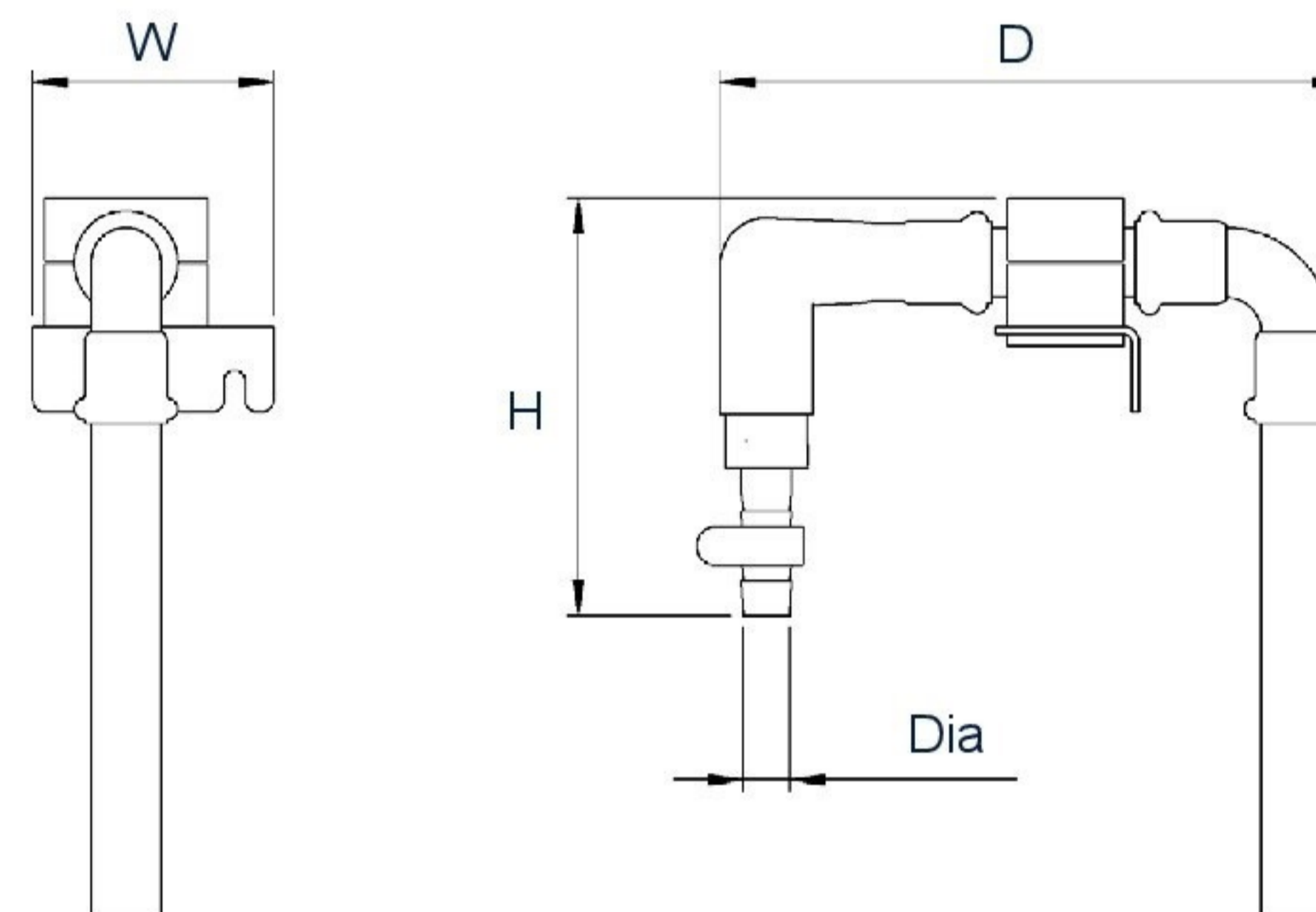
## Elmasonic xtra ST Peripherie - Retrofit

For Elmasonic xtra ST units without inlet and without soundproof cover



	Retrofit
Order number	1113896
Ext. dimension W / D / H (mm)	380 / 485 / 745 - 765
Connection Dia (")	½

### Dimension definition



### Scope of delivery

- Retrofit
- Hose clamp
- Screws for mounting on the Elmasonic xtra ST
- Operating and installation instructions

All prices ex works, excluding packaging.

The drawings are merely included as a visualization aid and are not true to scale.

Technical specifications serve as orientation values and are subject to tolerances due to production and manufacturing. Proper operation can only be guaranteed when using original Elma Units.



## Elmasonic xtra ST Peripherie - Elma Table

- Made of stainless steel
- Elma Table M offers space for 1 Elma Rinse or 1 Elma Steam
- Elma Table L offers space for 1 Elma Rinse and 1 Elma Steam
- Ideal for pre-cleaning, rinsing, draining, drying
- Elma Table can be placed on the left or right side of the ultrasound unit, for this purpose the splash guard can be mounted accordingly



	M	L	L/Low
Order number	1110141	1111759	1113201

### Product contents

- Elma Table
- Splash-guard set size M (1 plate and 4 knurled nuts) or size L (2 plates, 2 screws and 5 knurled nuts)
- U-sheet
- Drip tray (size M = 2 drip trays; size L = 3 drip trays)
- Operating and installation instructions

All prices ex works, excluding packaging.

Technical specifications serve as orientation values and are subject to tolerances due to production and manufacturing. Proper operation can only be guaranteed when using original Elma Units.

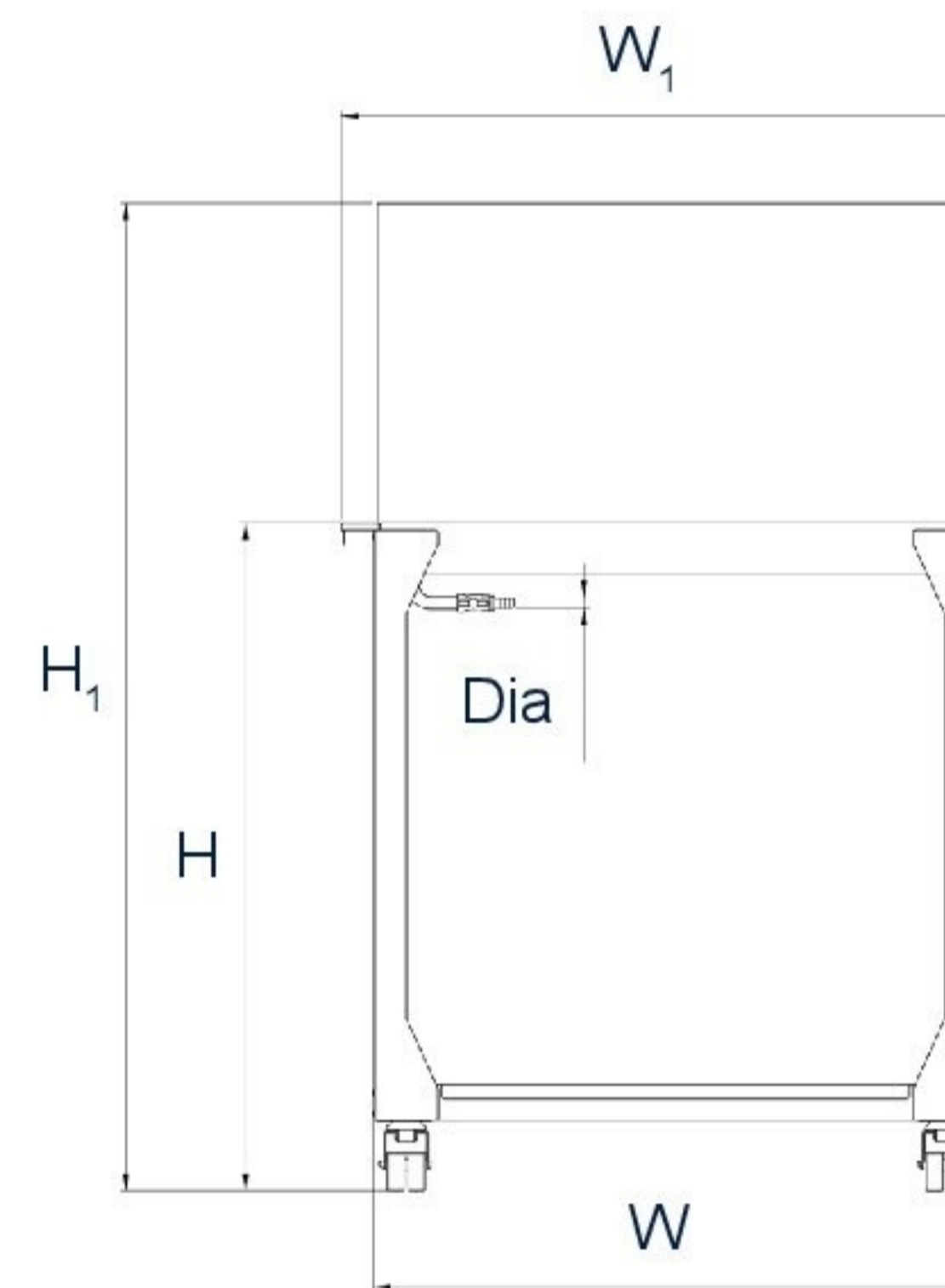


## Elmasonic xtra ST Peripherie - Elma Table

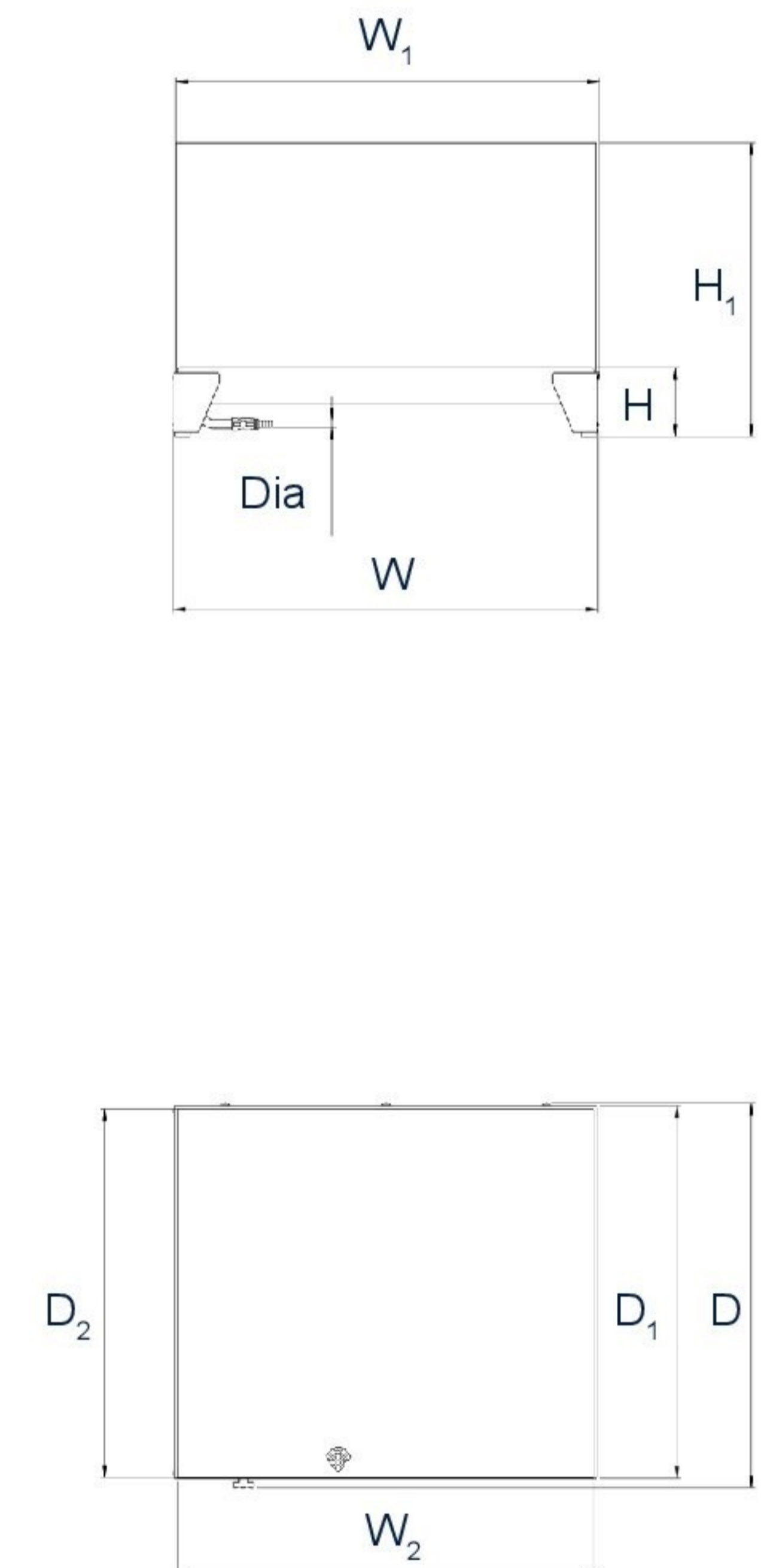
### Dimension definition

	<b>M</b>	<b>L</b>	<b>L/Low</b>
Ext. dimensions with attachments W / D / H (mm)	530 / 505 / 1410	900 / 810 / 1395	855 / 775 / 590
Ext. dimensions without attachments $W_1 / D_1 / H_1$ (mm)	485 / 530 / 930	855 / 805 / 930	855 / 770 / 125
Work area $W_2 / D_2$ (mm)	470 / 470	840 / 740	
Connection hose inner diameter Dia (mm)	14		
Weight (kg)	21	40	24
Total volume catch basin (l)	8,5	19,5	

Elma Table M + L



Elma Table L/Low



The drawings are merely included as a visualization aid and are not true to scale.

Technical specifications serve as orientation values and are subject to tolerances due to production and manufacturing. Proper operation can only be guaranteed when using original Elma Units.



## Elmasonic xtra ST Peripherie - Elma Rinse

- Ideal for pre-cleaning, rinsing, draining
- Hand shower for city water and deionized water flushing
- Hand showers with 2.3m long hoses and swivel coupling for flexible handling
- Rinsing with Elma Rinse enables spotless cleaning
- LED conductivity display for consumption information and cartridge change
- Flexible mounting on the Elma Table, on the wall or under a work table



	Elma Rinse
Order number	1101242

### Product contents

▪ Filter system
▪ Wall mounting device, 2 dowels and 2 screws
▪ 2 hand sprays, 2 nozzles and 2 spare nozzles
▪ Holder and 2 screws
▪ Spiral hose
▪ Hose piece
▪ T plug-connector and 1 screw
▪ Installation wrench
▪ Mains plug
▪ Operating and installation instructions

All prices ex works, excluding packaging.

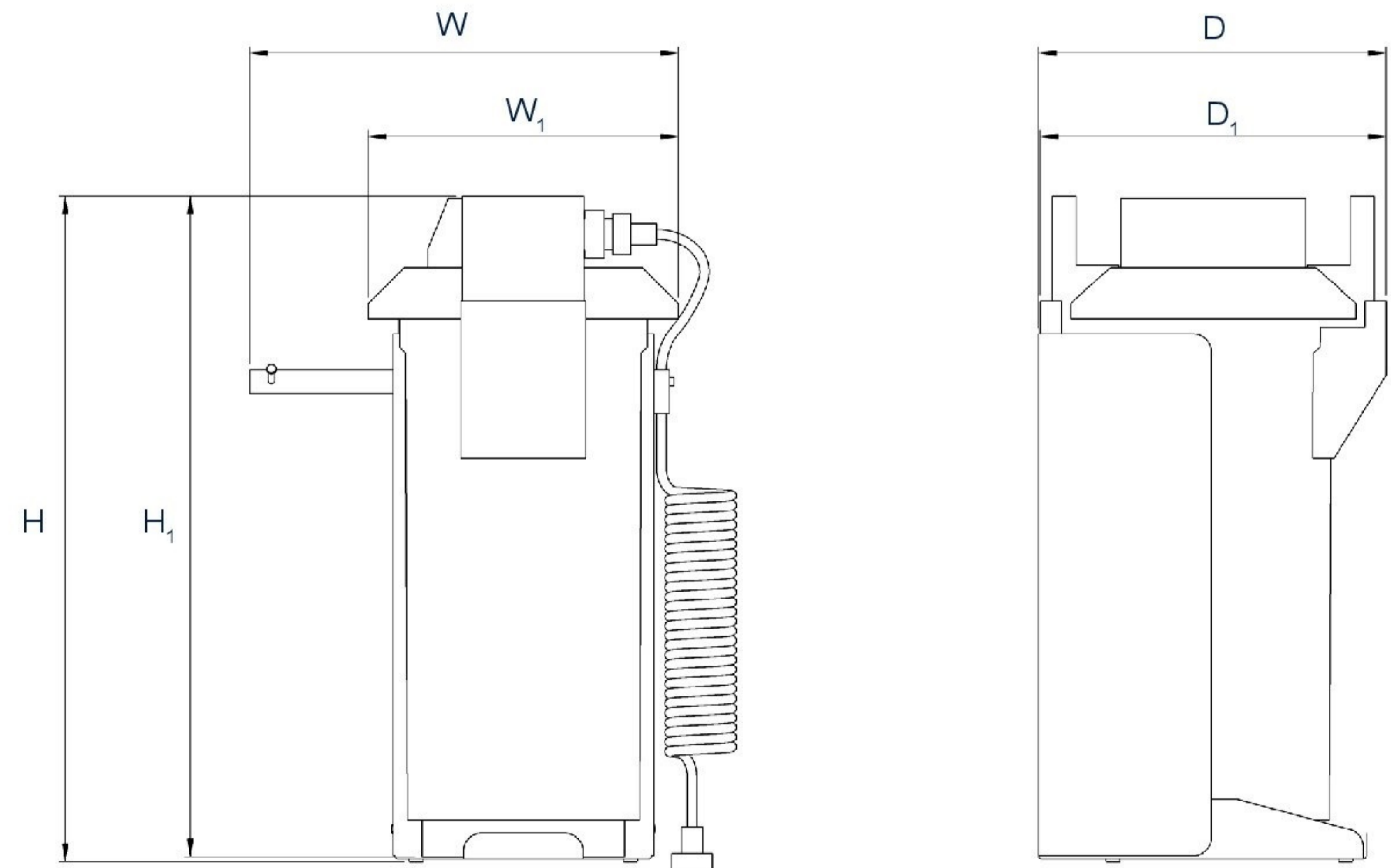
Technical specifications serve as orientation values and are subject to tolerances due to production and manufacturing. Proper operation can only be guaranteed when using original Elma Units.



## Elmasonic xtra ST Peripherie - Elma Rinse

### Dimension definition

	<b>Elma Rinse</b>
Ext. dimension W / D / H (mm)	360 / 295 / 560
Ext. dimension filtration system W <sub>1</sub> / D <sub>1</sub> / H <sub>1</sub> (mm)	255 / 288 / 555
Weight (kg)	28,5
Connecting thread input (")	G1 - G <sup>3</sup> / <sub>4</sub>
Mains voltage (V~)	110 - 240
Mains frequency (Hz)	50 / 60
Capacity at 300 µS/cm (l)	1300
Flow rate (l/h)	300
Operating pressure (bar)	2 - 6,9



The drawings are meant as a visualization aid and are not true to scale.

Technical specifications serve as orientation values and are subject to tolerances due to production and manufacturing. Proper operation can only be guaranteed when using original Elma Units.